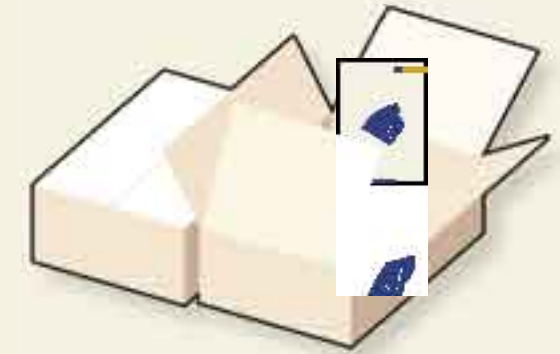
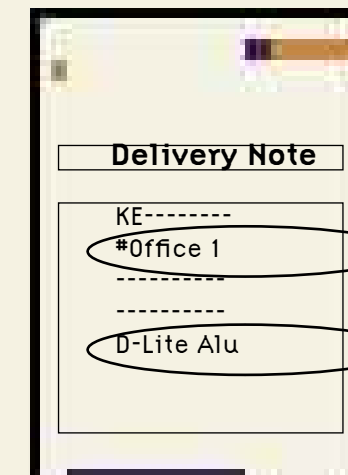


D-Lite Alu General rules



Please find Information on delivery and installation in the box labelled INFO.



Room reference

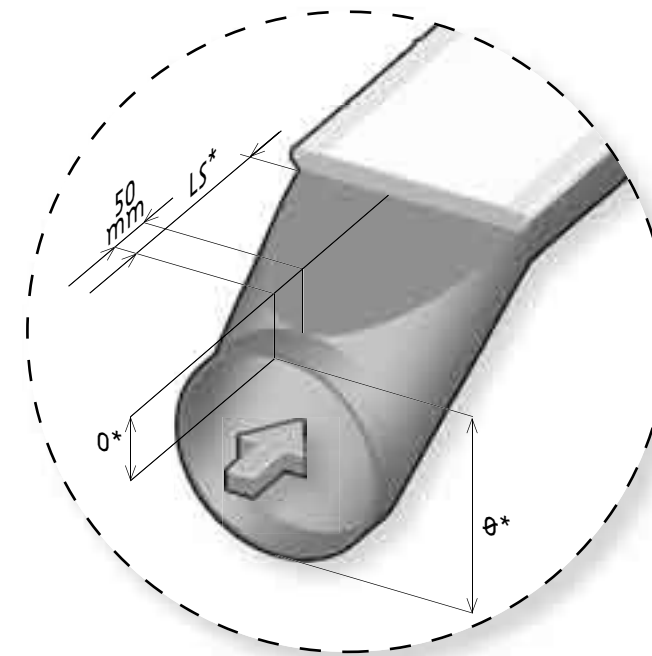
Suspension type



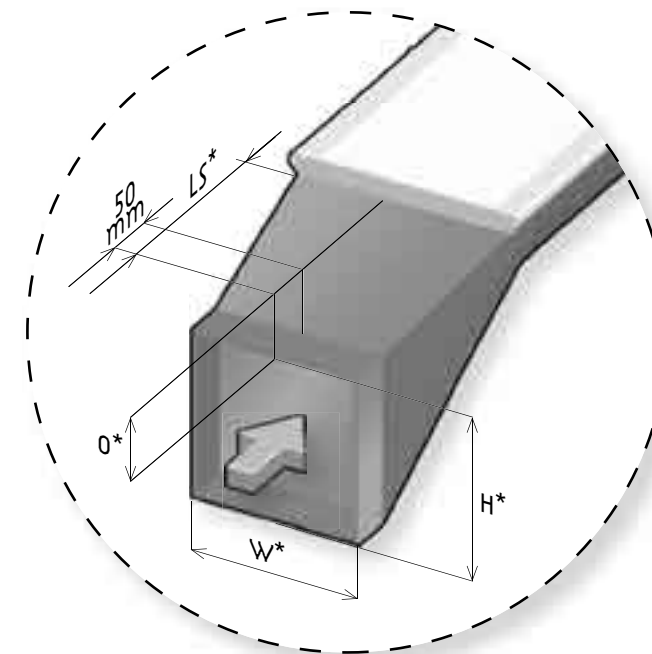
Alu-rails labelled with a saw symbol do not require further trimming.

0980019-GB

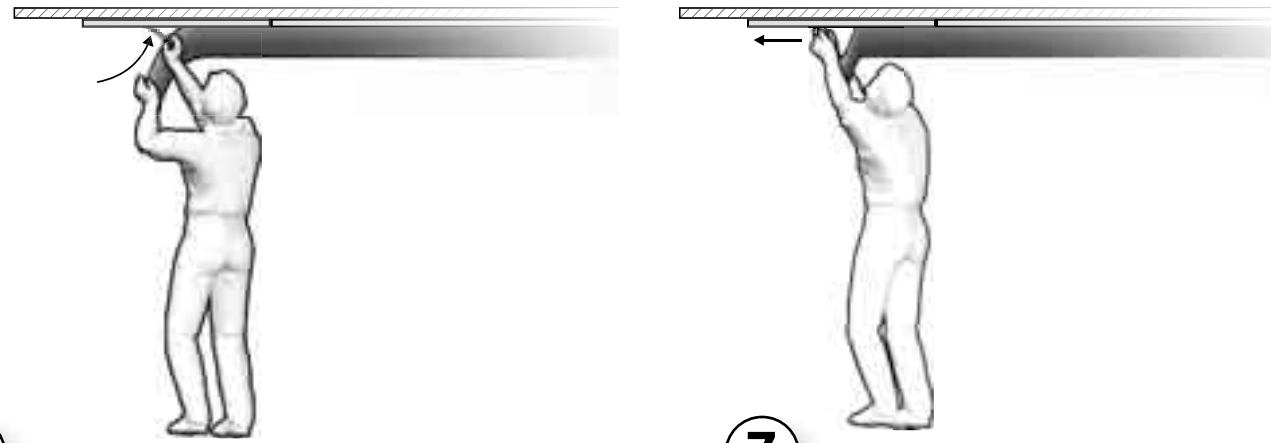
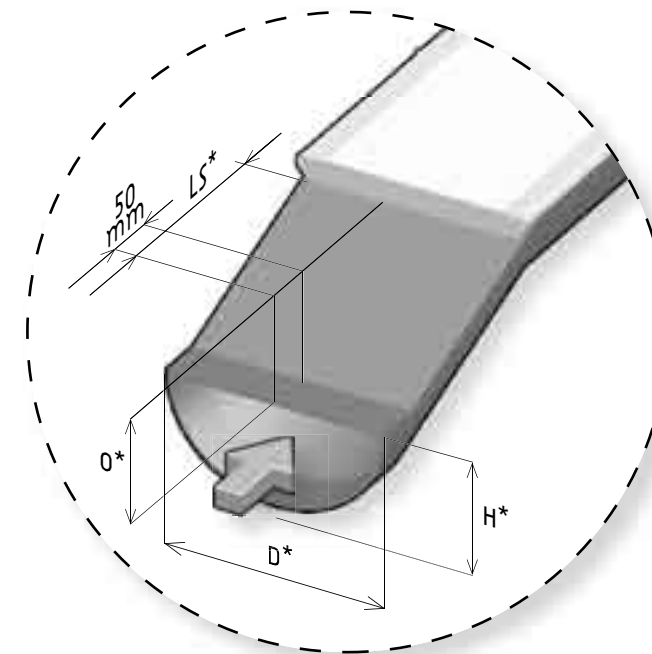
Inlet option A



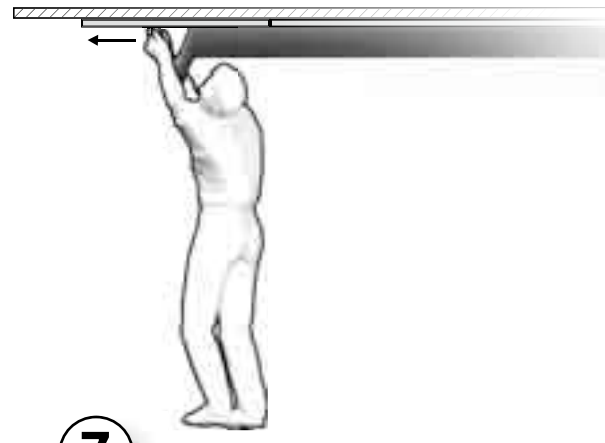
Inlet option B



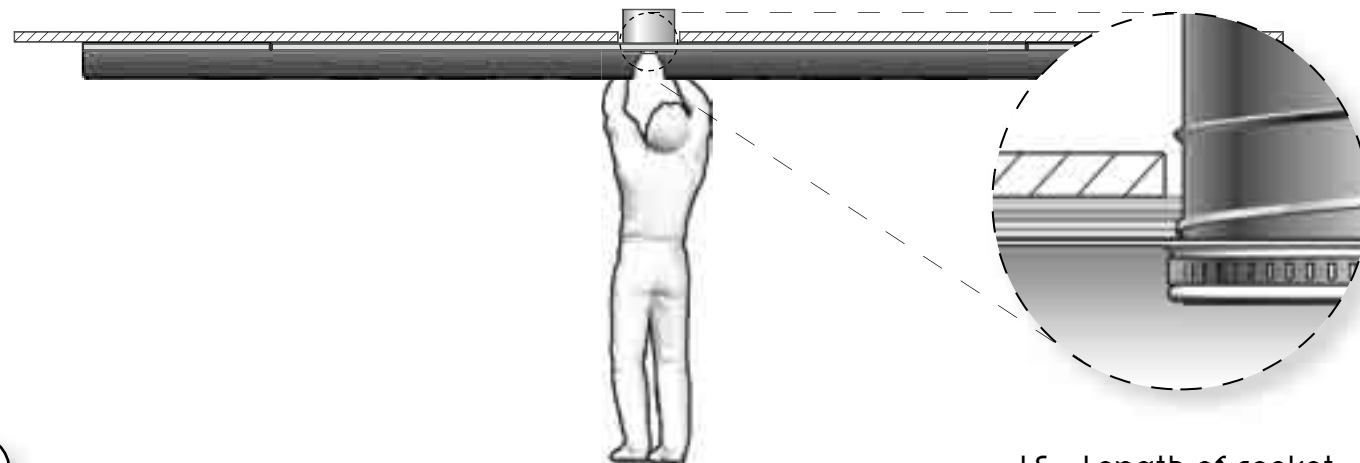
Inlet option C



6 Take the KE-Interior duct out of the mounting bracket and lift the bracket up against the ceiling (left sitting above KE-Interior duct).

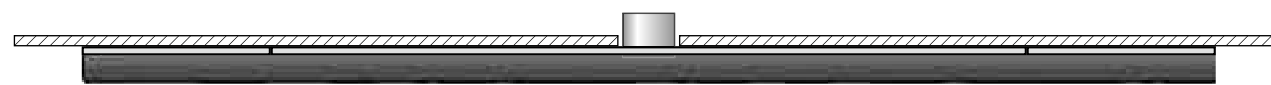


7 Feed the material bulb ends into the channel opening and then push the last part of the textile duct towards the End section. Ensure that the duct is taut from end to end and tighten tautness screws as in step 5.



8 Unzip socket/zip below air inlet. Mount air inlet socket onto supply spigot with clamp and tighten clamp. Zip up socket/zip....


LS = Length of socket
O = Offset
W = Width
Ø = Inlet diameter
H = Height
D = Interior duct diameter



9 ...and the KE-Interior duct system is ready.

When taking down the duct for cleaning etc. the steps 4 to 8 should be followed in reverse order.

*See further sizing details on enclosed project drawings, if any, and also see delivery note (packing list) and read off position description.



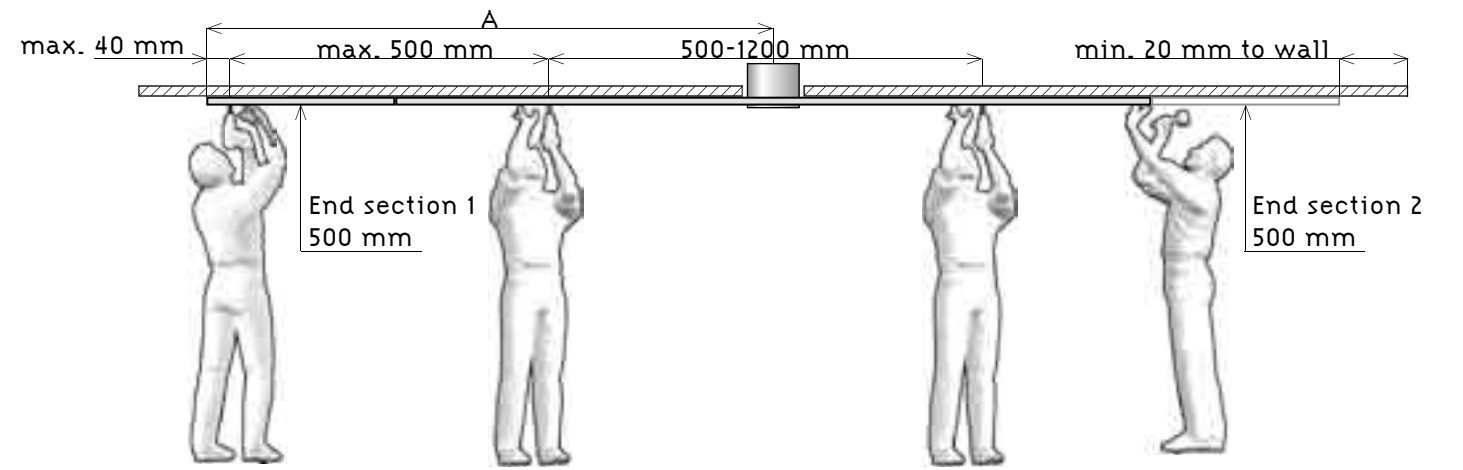
Start by checking the contents of the box against the delivery note (packing list).

Tools: Cordless drill/driver, measuring tape, M6 Allen key, and rubber hammer.

Not included in the box: Screws for ceiling suspension (every 500 - 1200 mm).



The D-Lite Starter Kit contains all the parts needed for both duct ends; which includes 1 Off mounting bracket.



2 End section 1 with mounting bracket is screwed onto the ceiling, positioned in accordance to the location of air inlet socket (dim. A). Screw 1 should be placed max. 40 mm from the end.

3 Further rails are mounted by means of the joining pins (apply rubber hammer). Place screw 2 max. 500 mm from screw 1 and then every 500-1200 mm depending on ceiling type. Complete by mounting end section 2.

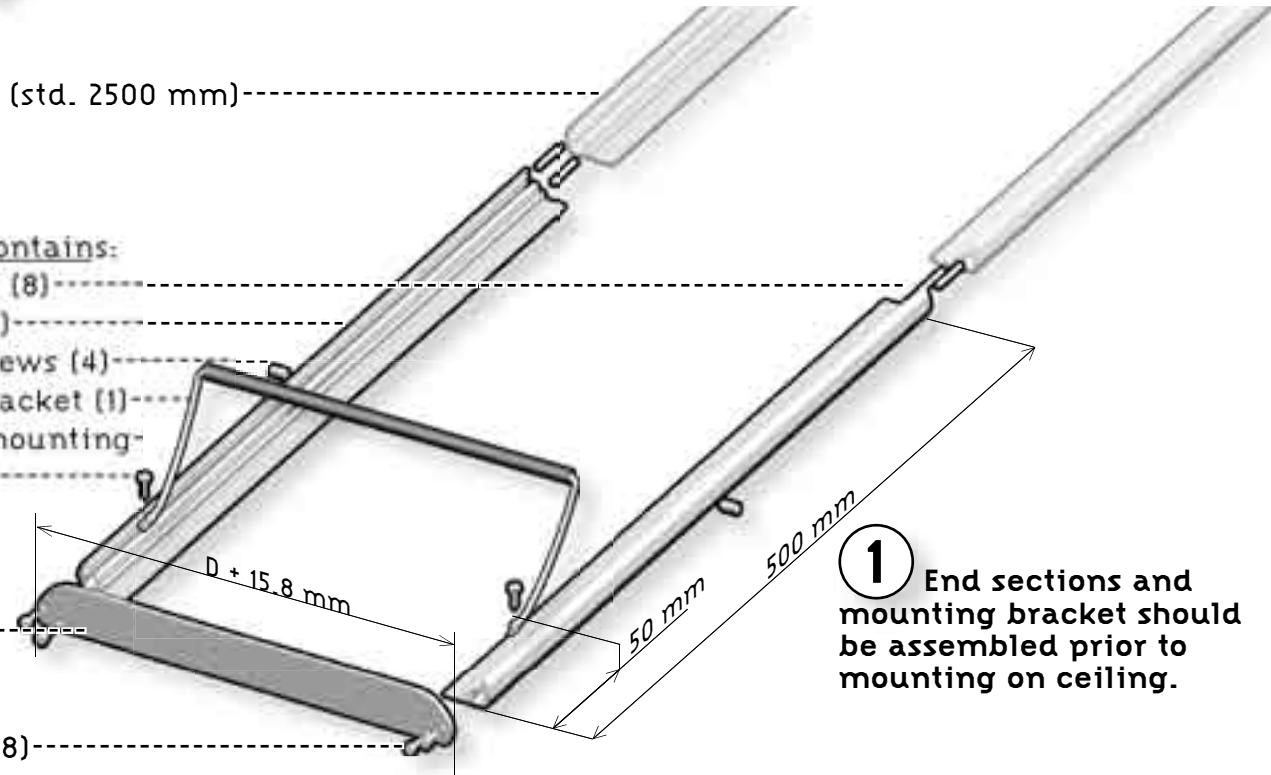
Further rails (std. 2500 mm)

Starter Kit contains:

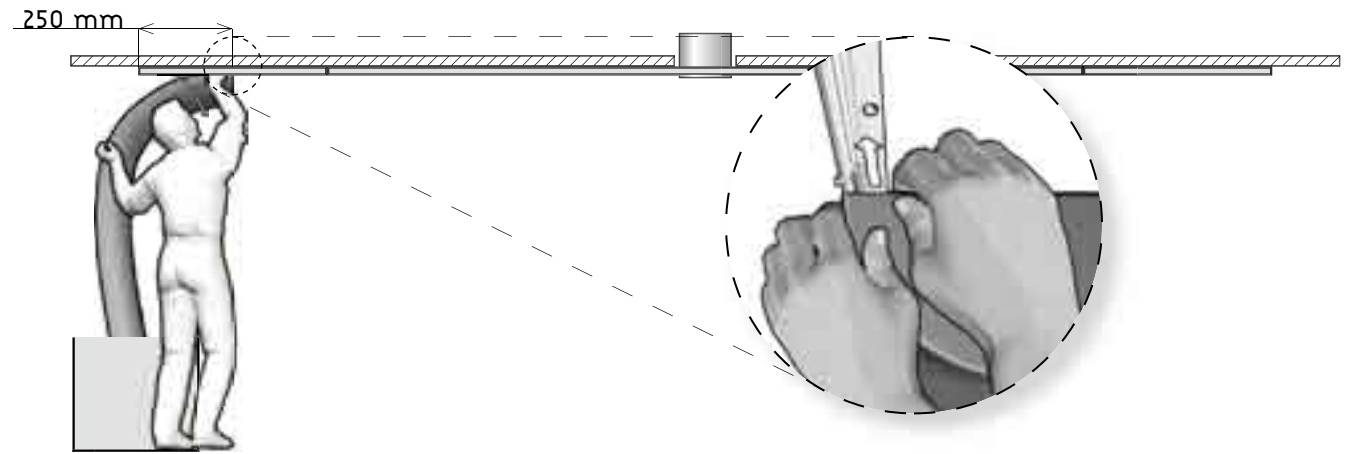
- Joining pins (8)
- Start rails (4)
- Tautness screws (4)
- Mounting bracket (1)
- Screws for mounting-bracket (2)

End sections (2)

End screws (8)



1 End sections and mounting bracket should be assembled prior to mounting on ceiling.



4 From the box feed the KE-Interior duct over the mounting bracket and then feed both textile bulbs into the channel openings of the start rails. Take care that the textile bulbs are fed equally at the same time into the D-Lite Alu rails.

Channel opening for mounting of textile bulb

Channel for joining pins and end screws

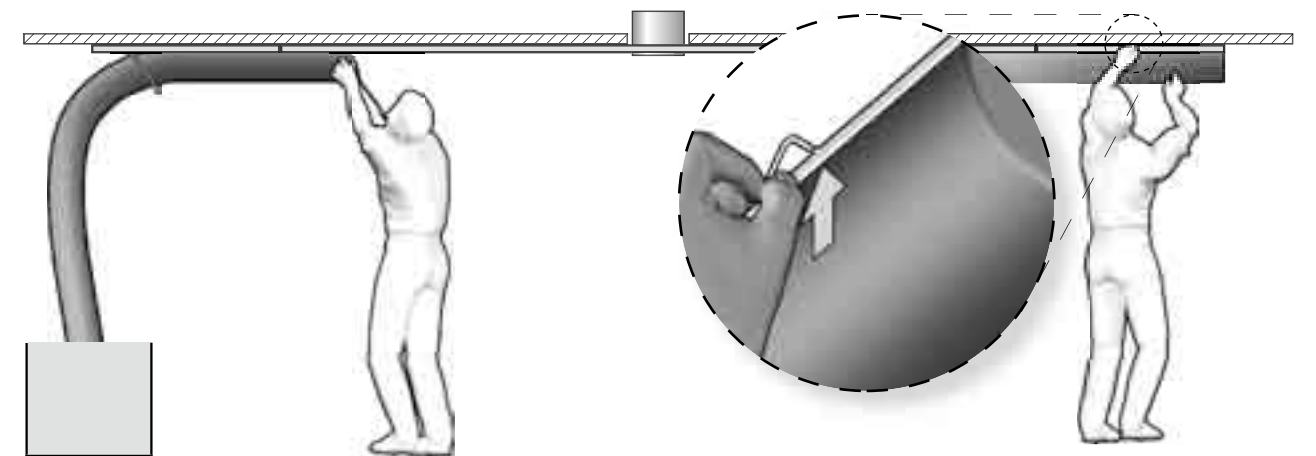
Channel for bulb of duct

This side against the ceiling (for clarity the rail is shown here upside down)

Groove for mounting bracket

Groove for guidance of mounting screws (self-tappers)

Channel for joining pins and end screws



5 Pull/push the KE-Interior duct along the rails until reaching the End section 2. Make sure that the textile bulb is taut upto the End section and tighten the 2 tautness screws (using M6 Allen key).