

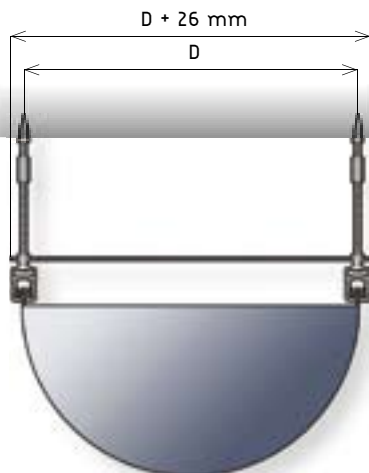
If the KE-Interior® duct is not to be placed directly against the ceiling, one of the suspension types below may be applied:

Alu-Thread Flange for attachment to all types of ceiling.
 Supplied as standard with 1 m thread bar.
 Available in stainless steel AISI 304 or AISI 316.
 Max. span between supports is 2 m.

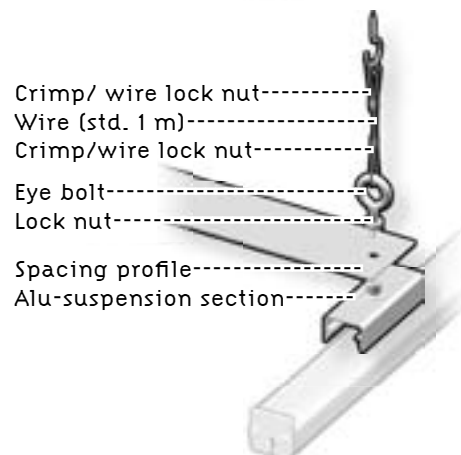
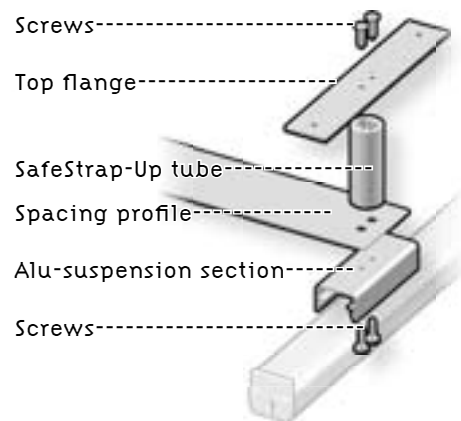
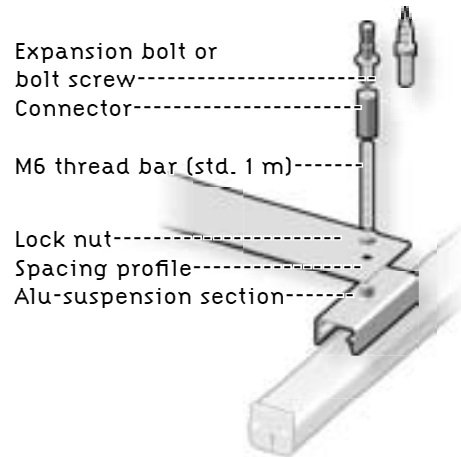
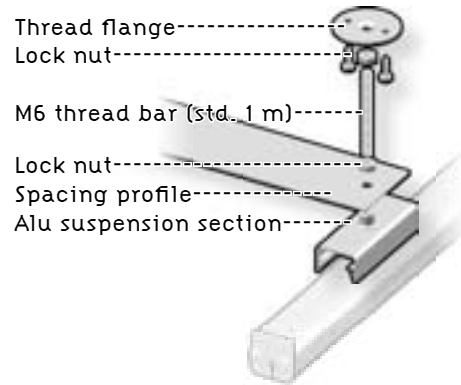
SafeThread with expansion bolt for attachment into concrete, or with bolt screw for attachment into wood.
 Supplied as standard with 1 m thread bar.
 Available in stainless steel AISI 304 or AISI 316.
 Max. span between supports is 2 m.

SafeStrap-Up is supplied with 1 m Ø 22 mm aluminium tube and top flange.
 Recommended for applications requiring long or very stable suspension systems.
 Also available in 0,5, 1,5 and 2 m length.

SafeWire Strap-Up is supplied as standard with 1 m wire with loop to be fastened to a hook in the ceiling (not included).
 Also available in 2 m length.
 Max. span between supports is 2 m.

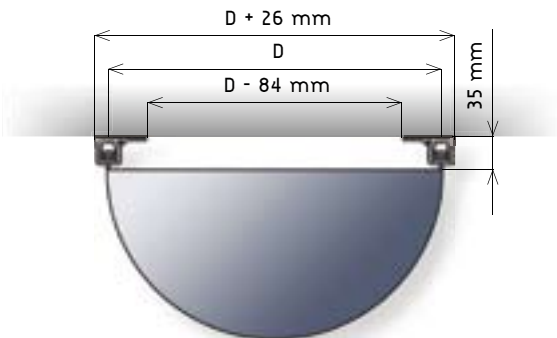
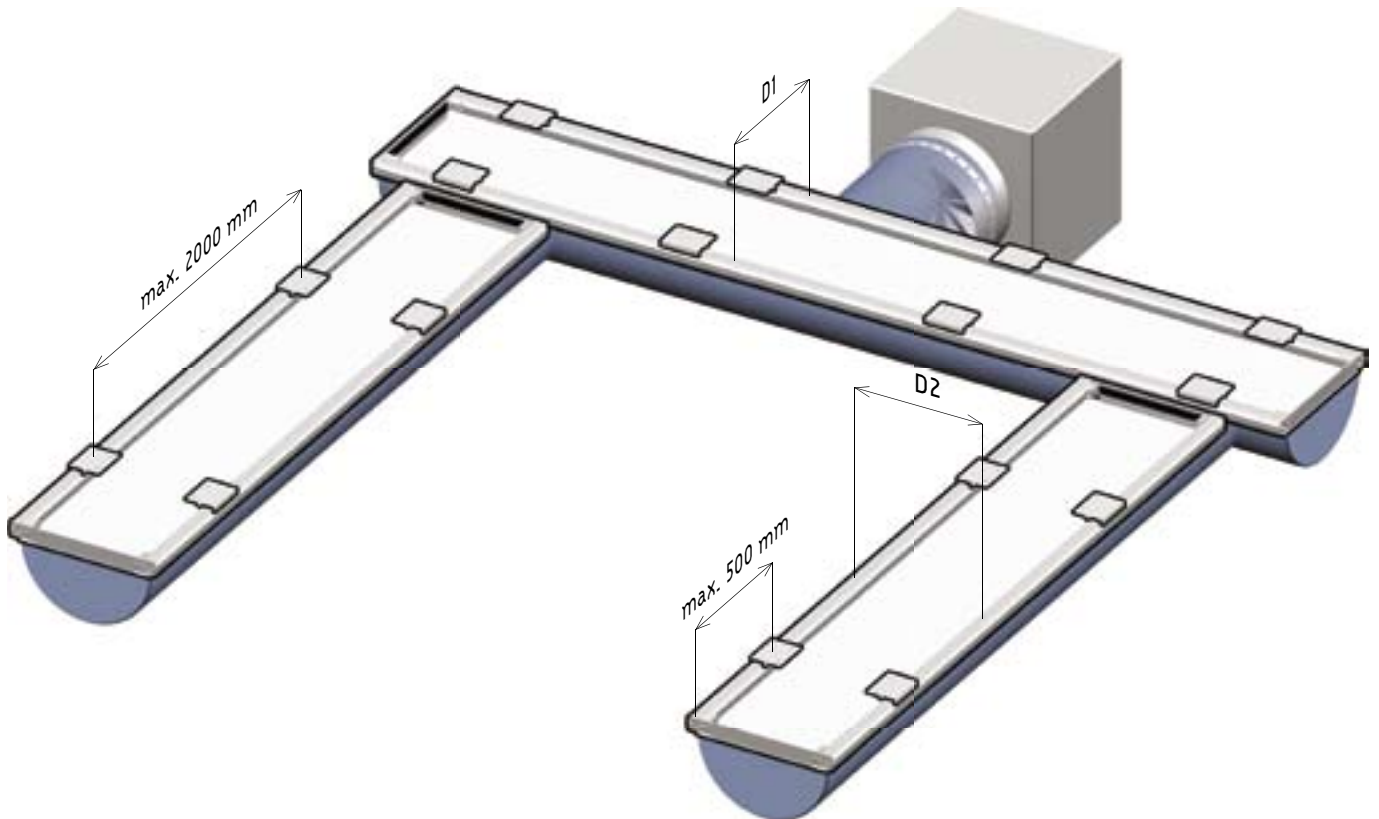


D-SafeTrack Alternative suspensions



D-SafeTrack

SafeCeil standard suspension



Alternative inlet options are available.
Please contact KE Fibertec for more details.

The D-SafeTrack is supplied in cut lengths to match the textile duct and is packed with the necessary components and marked individually with exact indication of placement.

KE Fibertec suggest the D-SafeTrack for KE-Interior® systems exceeding D 800 mm or for industrial applications where the ceiling material is unknown. The D-SafeTrack is the optimum solution where KE-Interior® systems are mounted below the ceiling surface (see alternative suspensions).

Not included in the delivery: Screws for ceiling attachment.

