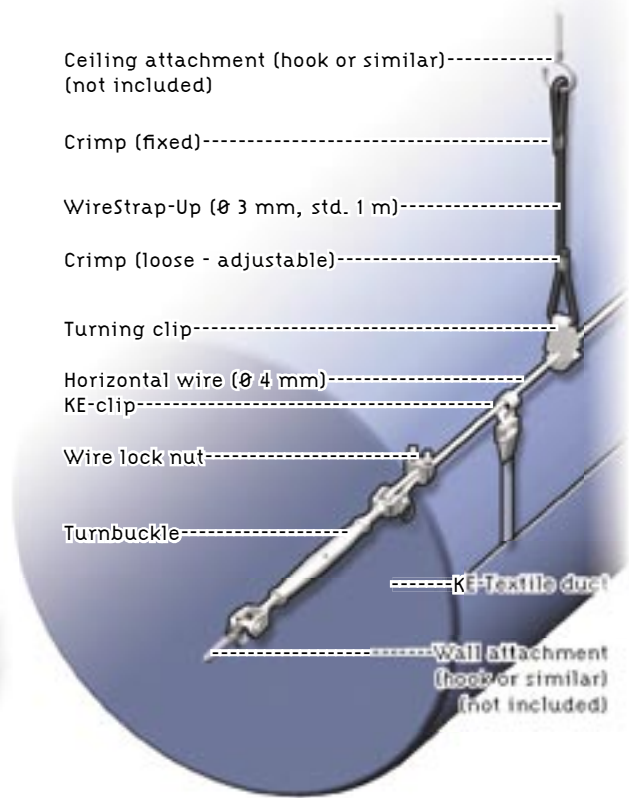
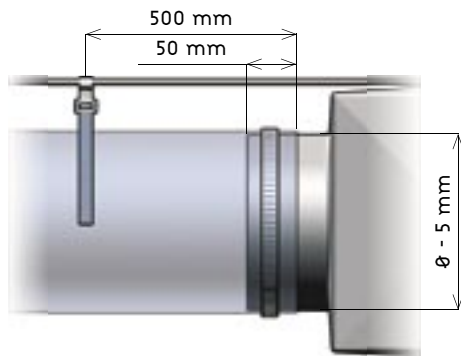
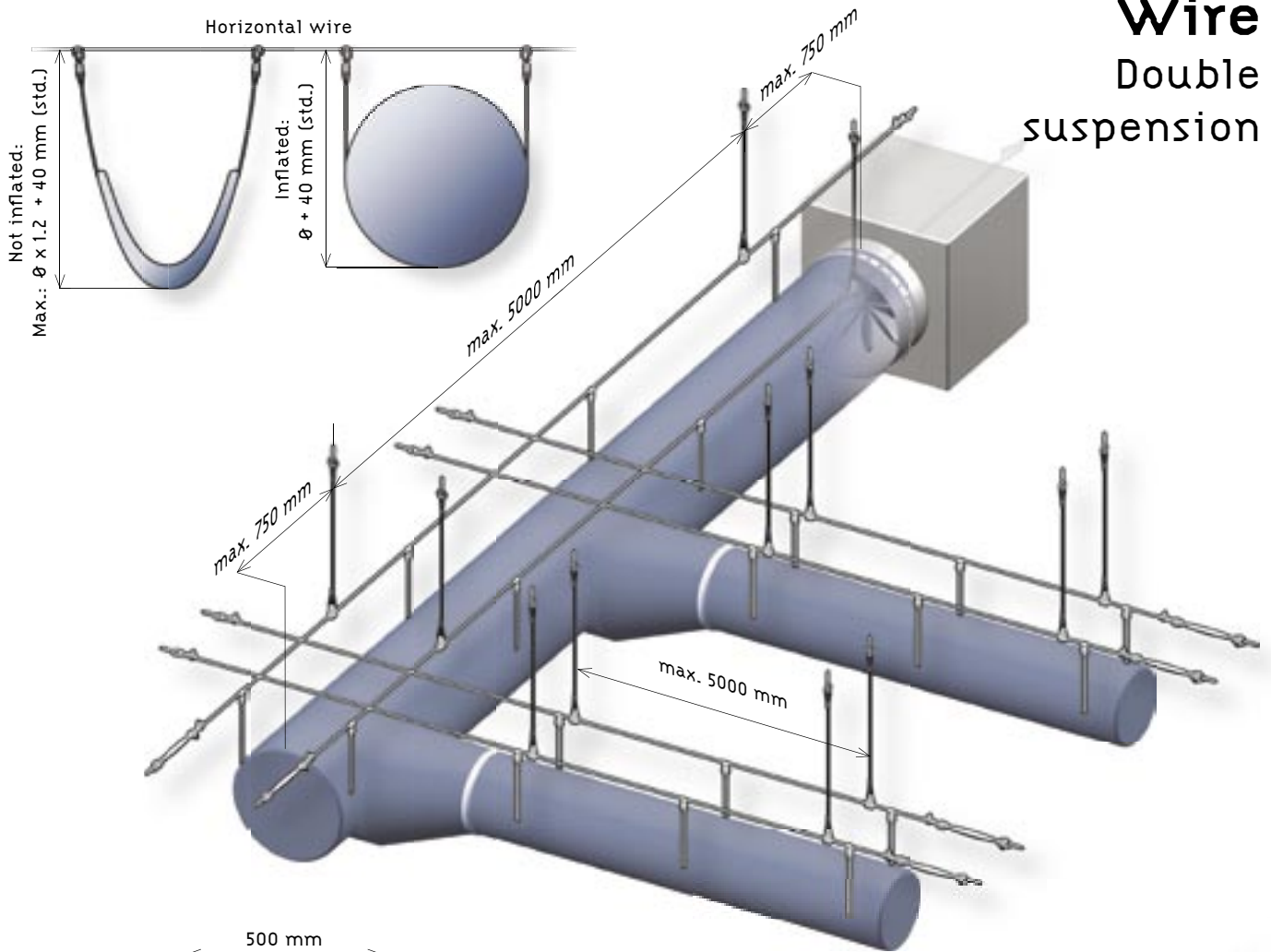


# Wire Double suspension



KE Fibertec suggest that a single wire is used for diameters up to Ø 630 mm. For larger ducts double wire suspension is suggested.

Wire is supplied 3 m longer than the duct. For ducts exceeding 17 m 2 turnbuckles per wire are included.

WireStrap-Ups to the ceiling as standard are supplied in 1 m lengths. Different wire lengths are available on request.

Not included in the delivery: Screws/ hooks for ceiling and wall attachment.

