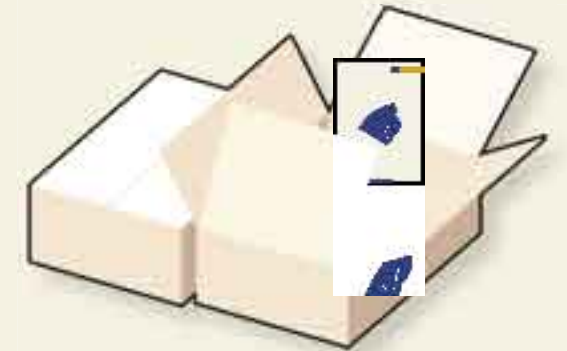
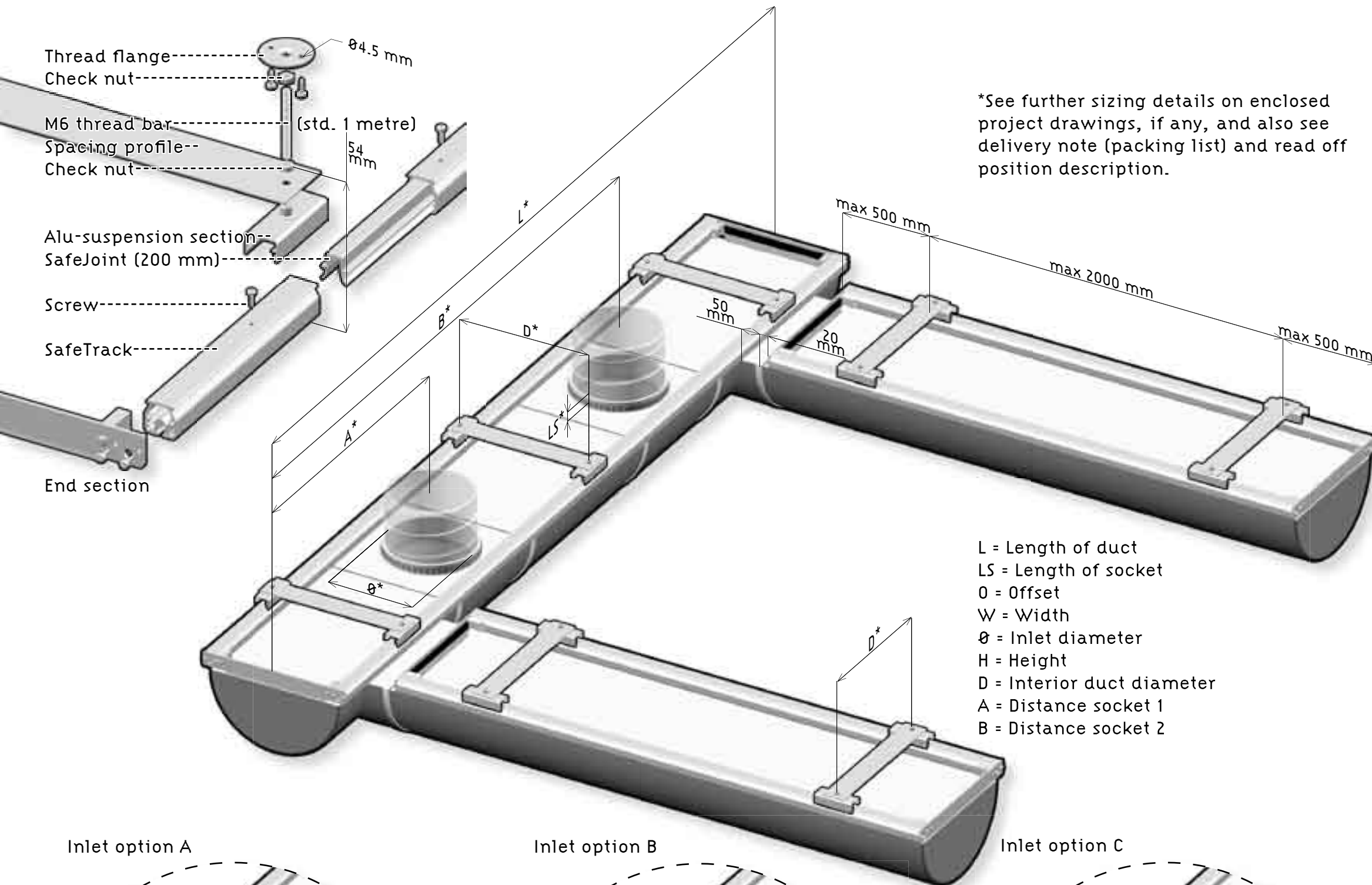


# D-SafeTrack (thread fl.) General rules

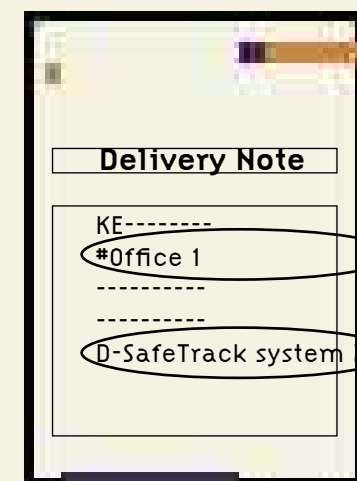


Please find Information on delivery and installation in the box labelled INFO.



\*See further sizing details on enclosed project drawings, if any, and also see delivery note (packing list) and read off position description.

- L = Length of duct
- LS = Length of socket
- O = Offset
- W = Width
- Ø = Inlet diameter
- H = Height
- D = Interior duct diameter
- A = Distance socket 1
- B = Distance socket 2

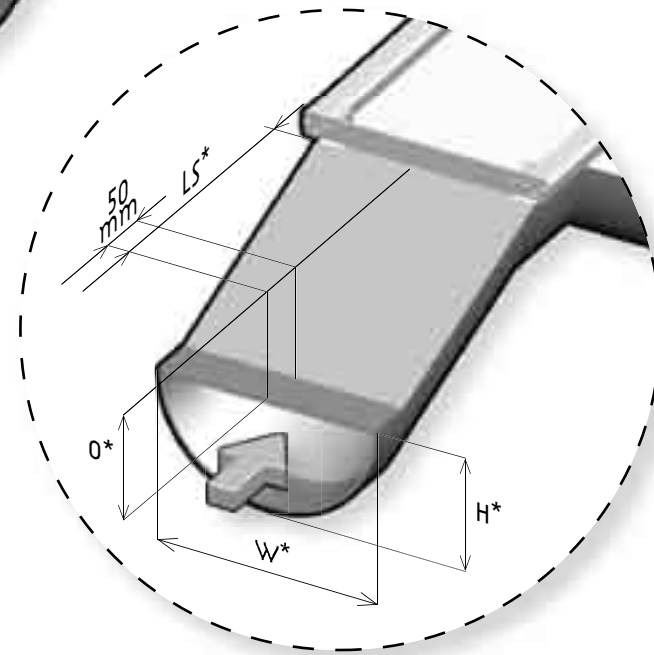
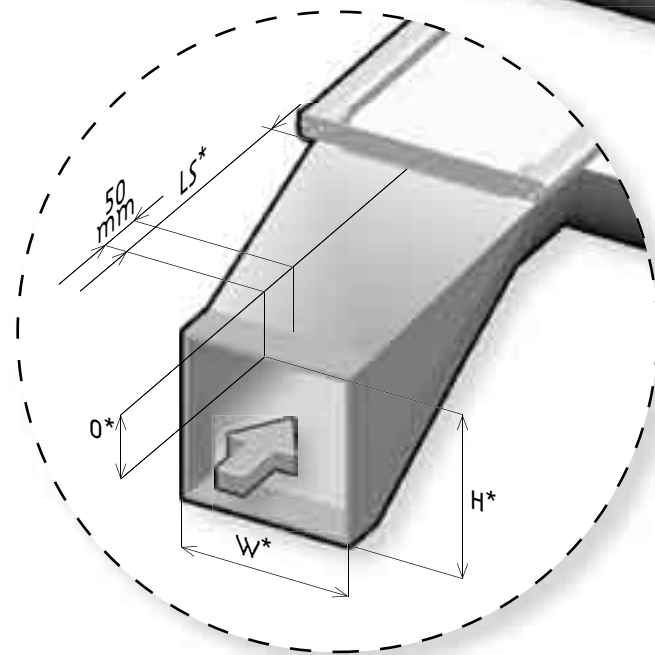
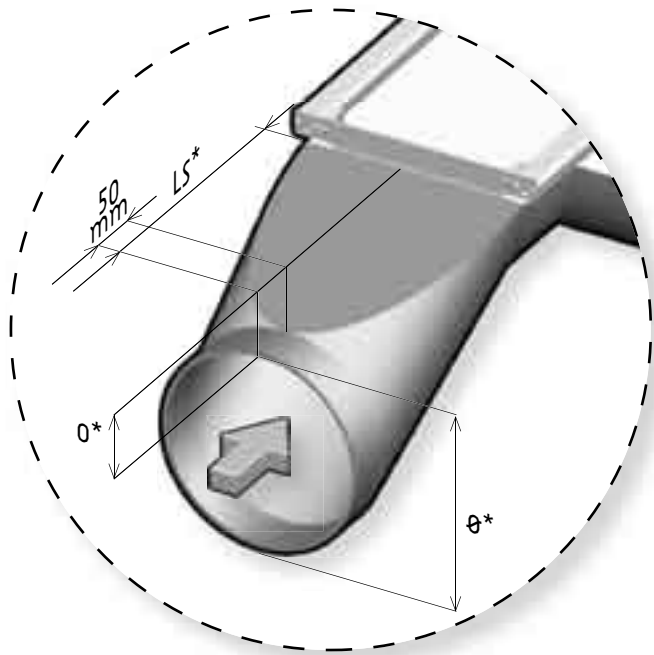


Room reference  
Suspension type

Inlet option A

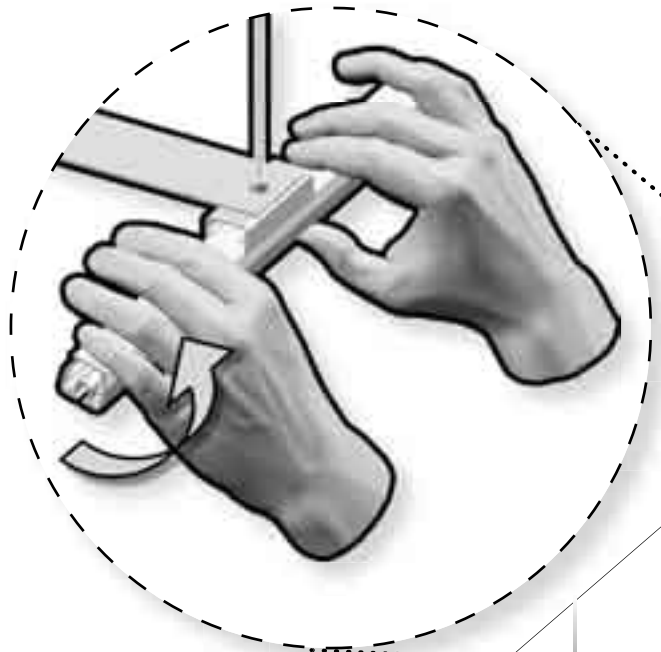
Inlet option B

Inlet option C



Alu-rails labelled with a saw symbol do not require further trimming.

**0980014-GB**



**1**  
Supports and spacing profiles are mounted on the ceiling; positioned in accordance to the location of inlet socket, duct start or duct bottom.

**2**  
Rails are clicked into holders (click/rotation is in one direction ONLY).

**3**  
End sections are to be mounted to rail ends (must be prior to mounting duct).

**4**  
KE Interior System is fed from box into rails (so as to keep duct clean!)

**5**  
...and is pulled out at the same time via the cords.

**6**  
Mounting of clamp. Inlet sockets in duct roof are accessed via zippers.

**7**  
Cords are pulled tight and fixed in end sections. Cord ends are hidden between ceiling and duct roof. Bulb along duct bottom is pushed up into plastic strip on the inside of end section.

