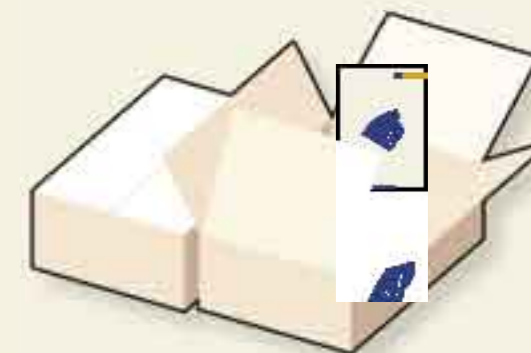
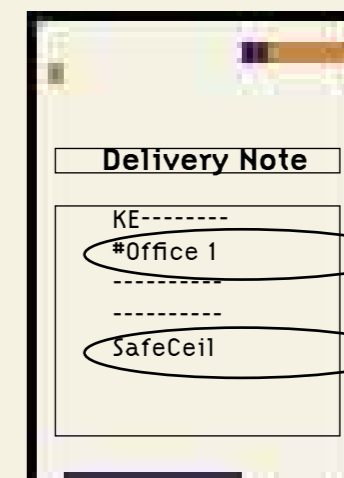
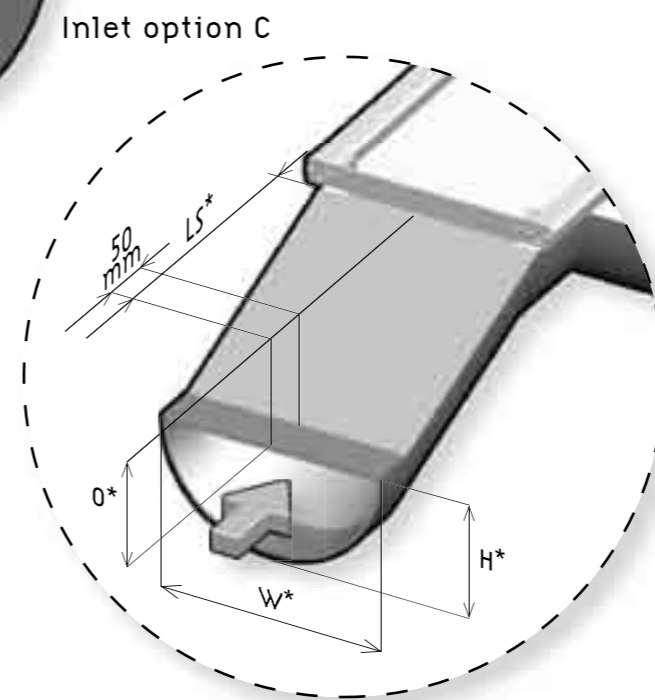
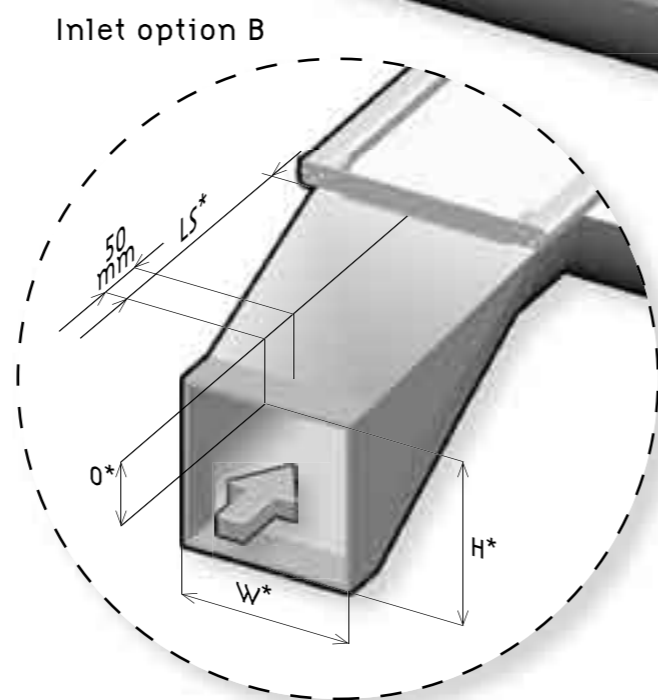
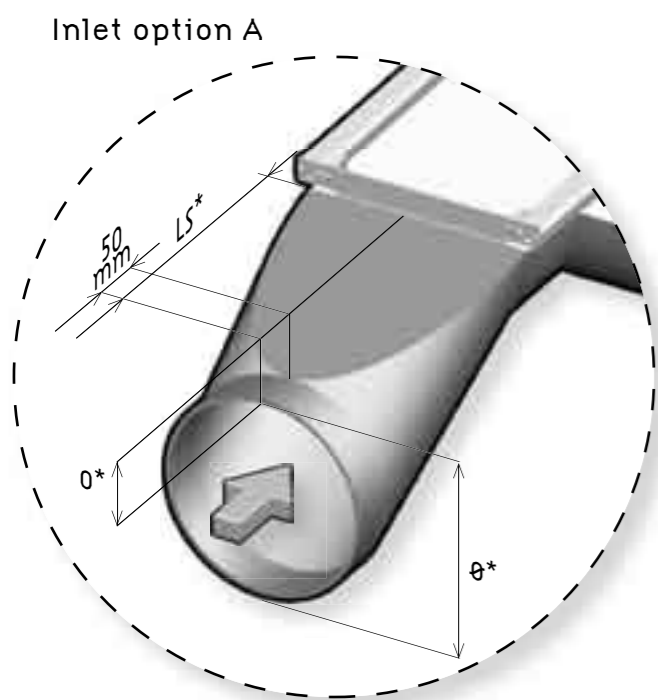
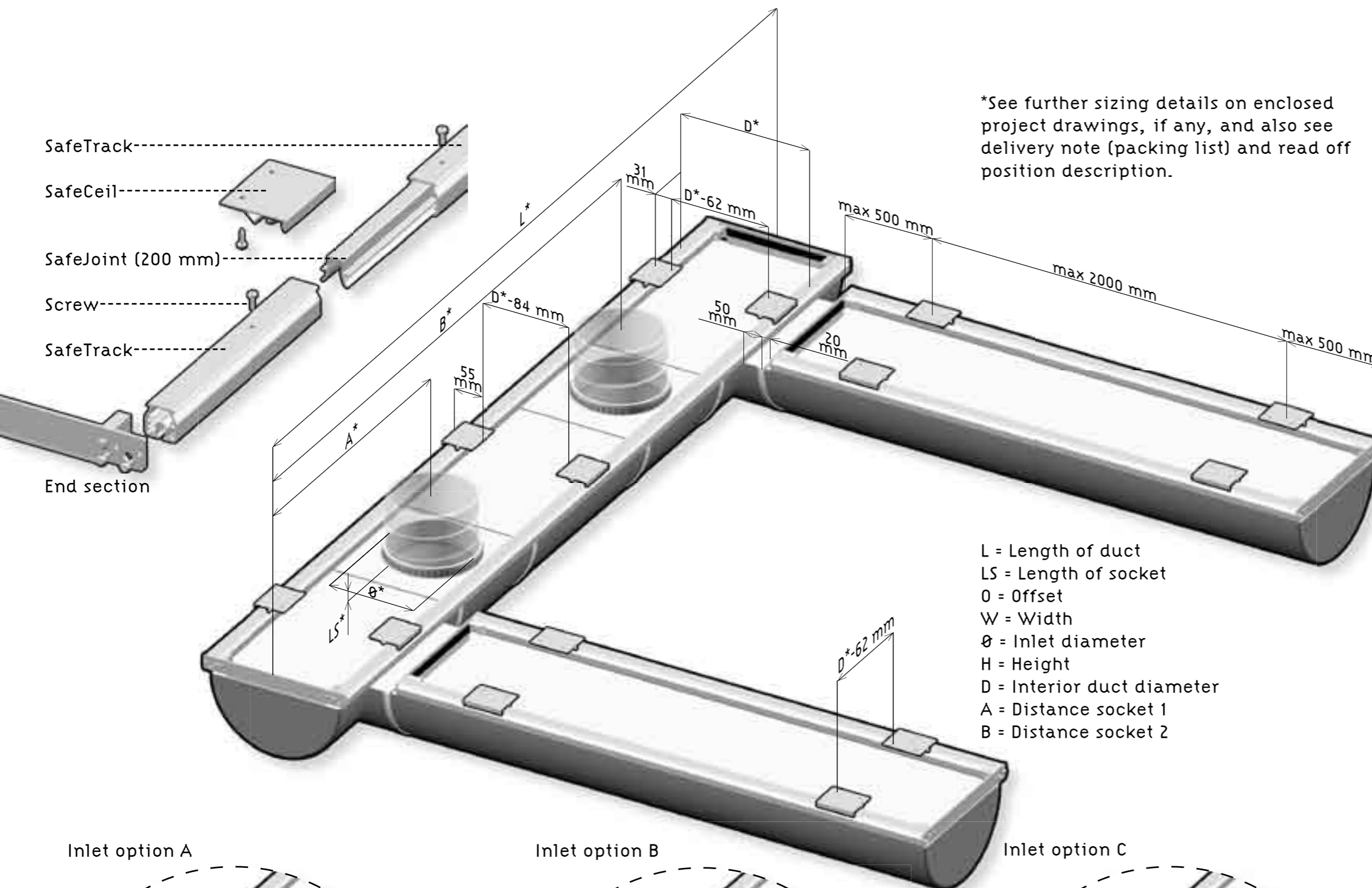


# D-SafeTrack (SafeCeil) General rules



Please find Information on delivery and installation in the box labelled INFO.



Room reference

Suspension type



Alu-rails labelled with a saw symbol do not require further trimming.

**0980011-GB**



**1** SafeCeils are mounted on the ceiling; positioned in accordance to the location of inlet socket, duct start or duct bottom.

**2** Rails are clicked into SafeCeils (click/rotation is in one direction ONLY).

**3** End sections are to be mounted to rail ends (must be prior to mounting duct).

**4** KE Interior System is fed from box into rails (so as to keep duct clean!)

**5** ...and is pulled out at the same time via the cords.

**6** Mounting of clamp. Inlet sockets in duct roof are accessed via zippers.

**7** Cords are pulled tight and fixed in end sections. Cord ends are hidden between ceiling and duct roof. Bulb along duct bottom is pushed up into plastic strip on the inside of end section.

