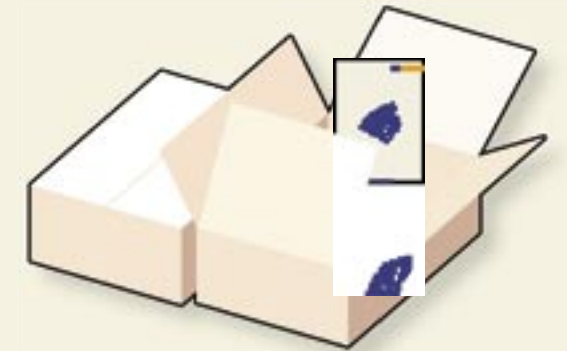


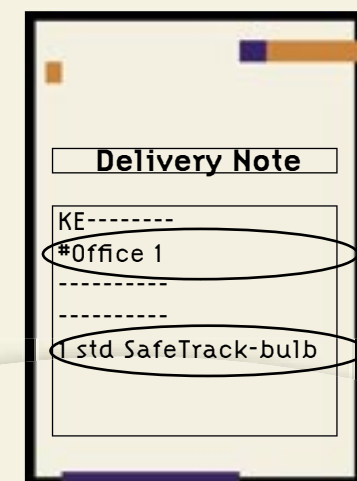
# Double Suspension

2 std SafeTrack-bulb

## SafeTrack General rules

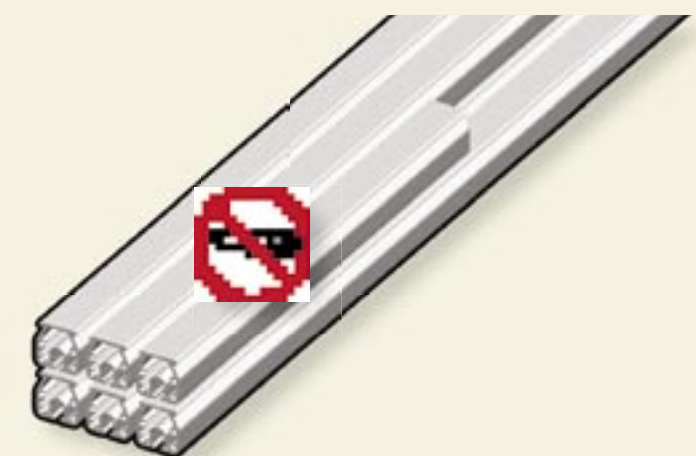


Please find Information on delivery and installation in the box labelled INFO.



Room reference

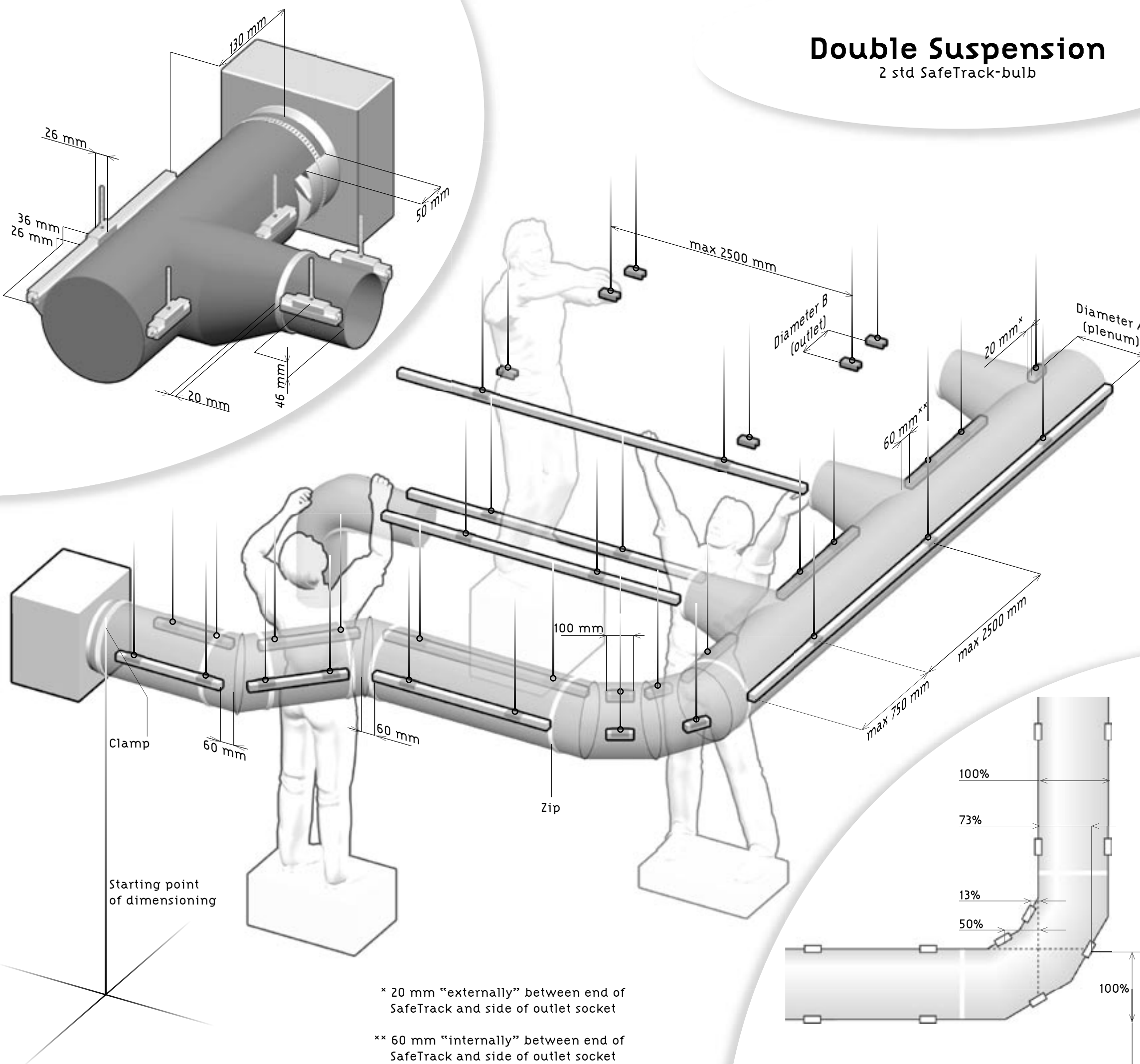
Suspension type



Alu-rails labelled with a saw symbol do not require further trimming.

**0980004-GB**

Please note that some relevant information may be on the reverse side



\* 20 mm "externally" between end of SafeTrack and side of outlet socket

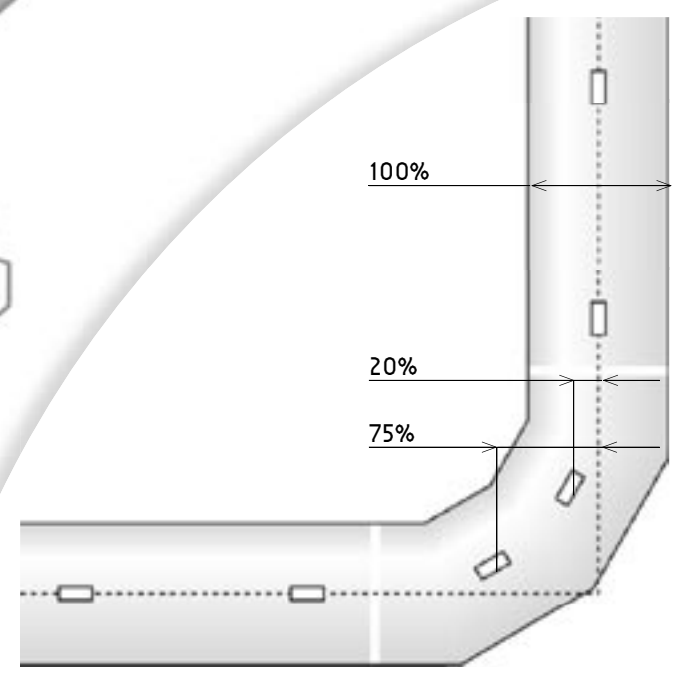
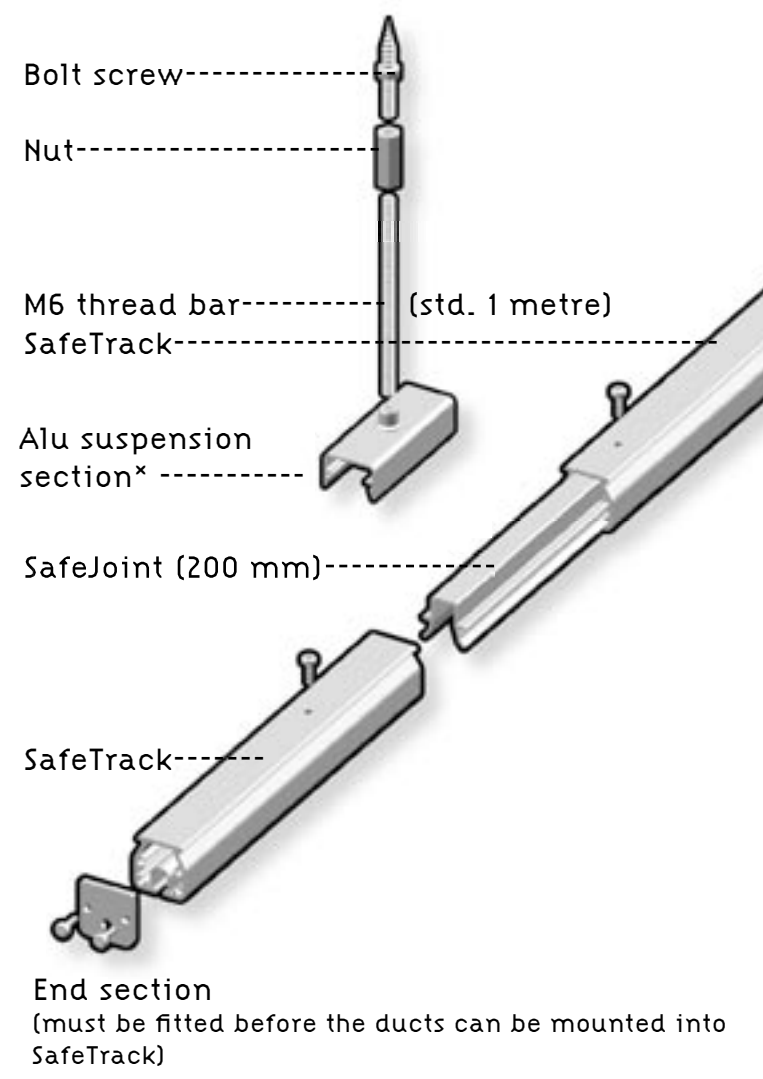
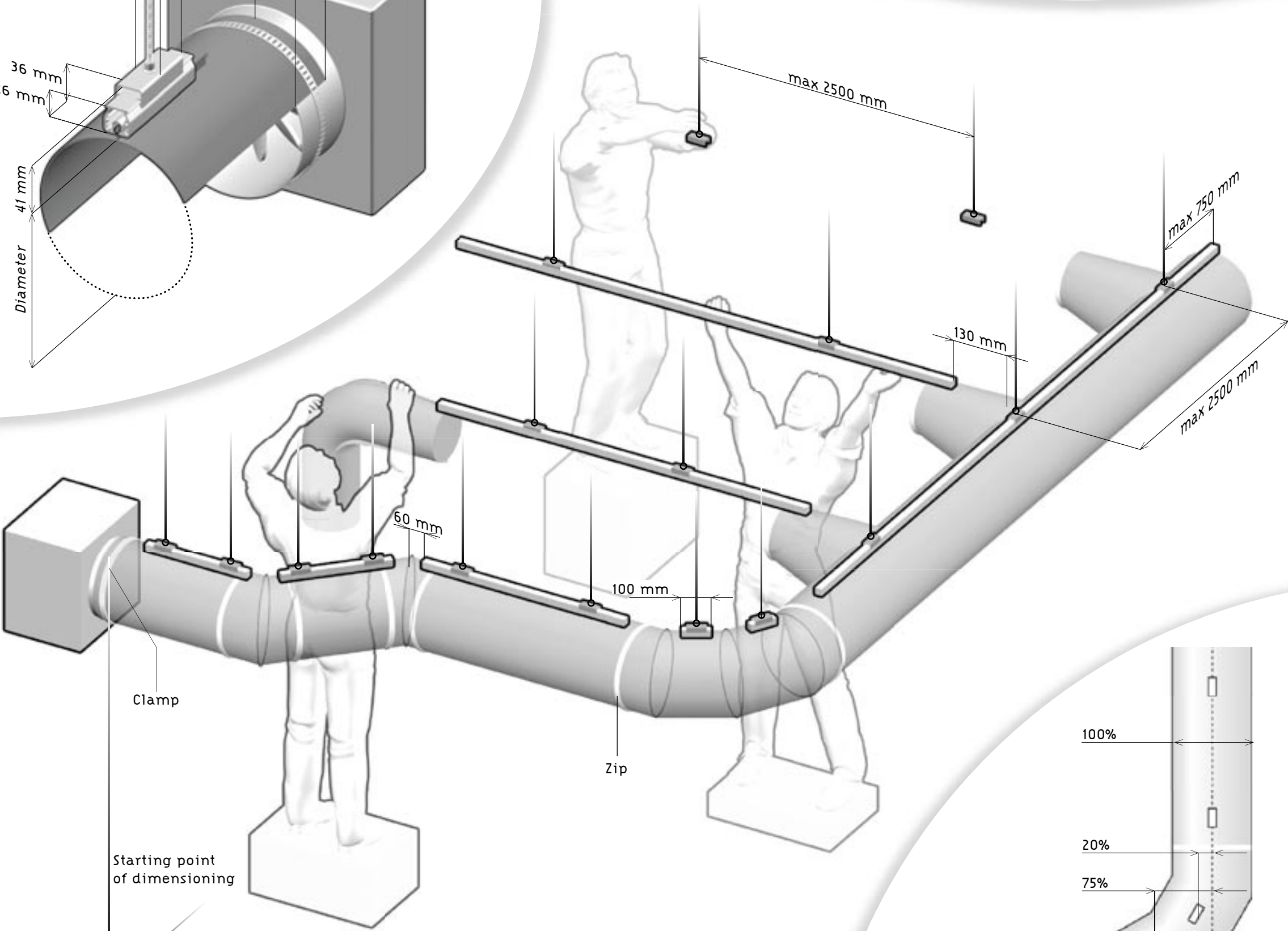
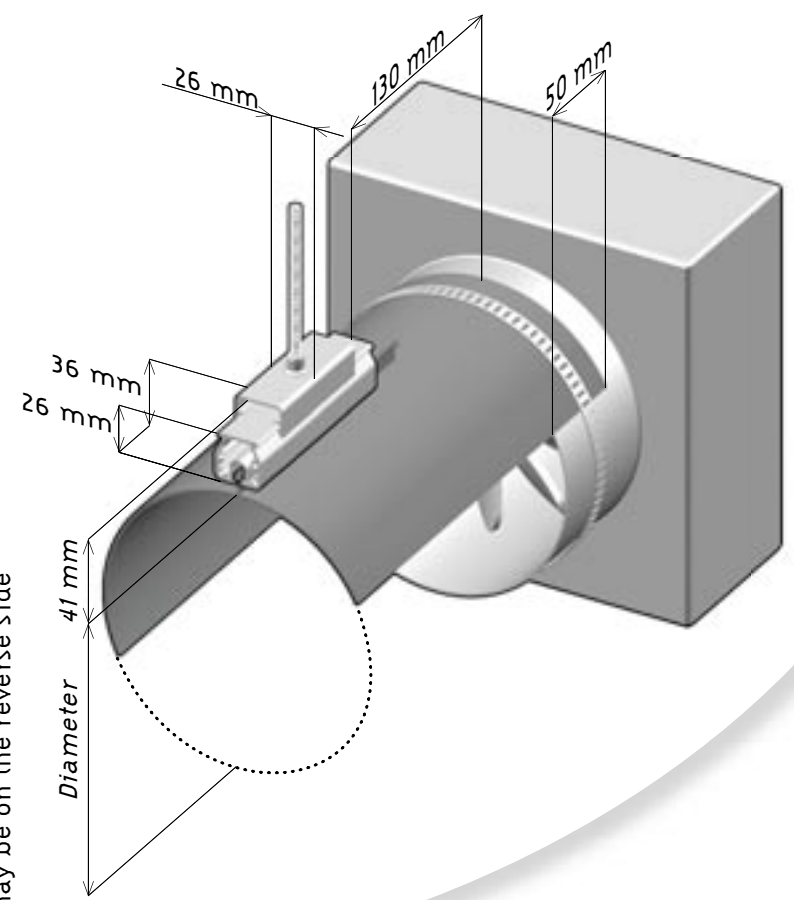
\*\* 60 mm "internally" between end of SafeTrack and side of outlet socket

# Single Suspension

1 std SafeTrack bulb

# SafeThread StrapUp

Please note that some relevant information may be on the reverse side



Upon assembly, the SafeTrack is clicked into the alu-suspension.

\*The alu suspension sections supplied should be spaced out evenly for a given duct section. Check packing list for quantities.